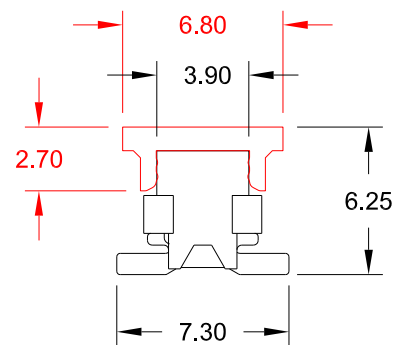
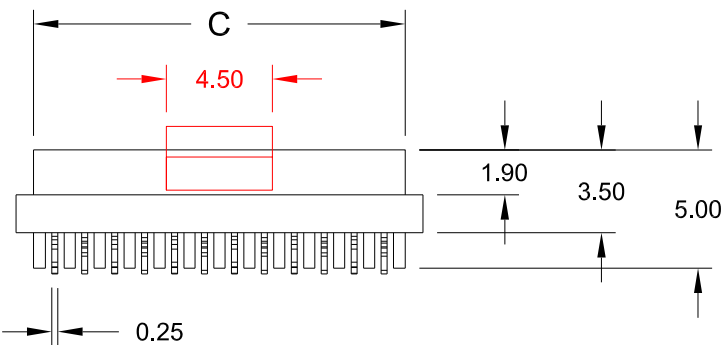
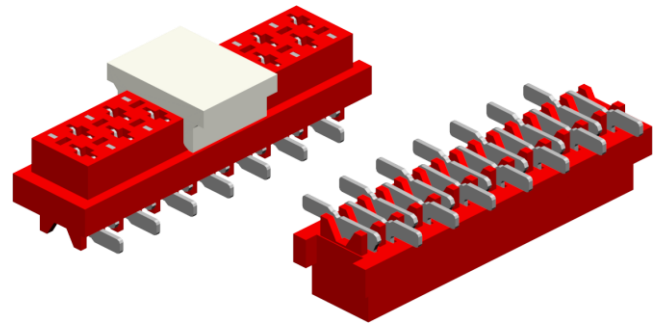
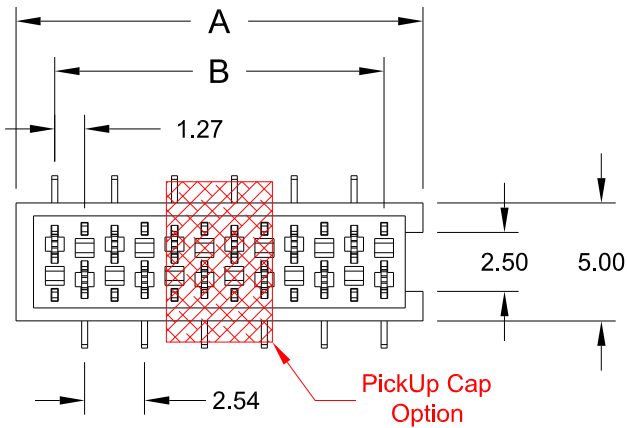


Mini - Mate Connector

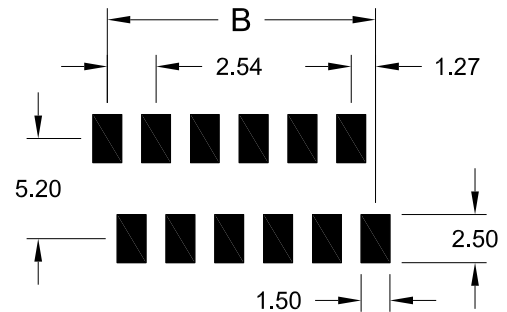
- SMT - female Block Shape



Specifications

Current rating	1.5 A max.
Voltage rating	230 V AC/DC
Withstanding voltage	500 V AC
Contact resistance	20 mΩ max.
Insulation resistance	1000 MΩ min.
Operating temperature	-55°C to +105°C
Processing temperature	+260°C +0/-5°C for 5 Sec.
Insulator material	(RoHS compliant) PA46 (red) UL 94 V-0
Contact material	(RoHS compliant) Phosphor Bronze

PCB Surface Mount Layout



Dimensions (mm)

Contacts	DIM "A"	DIM "B"	DIM "C"	Contacts	DIM "A"	DIM "B"	DIM "C"	Contacts	DIM "A"	DIM "B"	DIM "C"
004	7.00	3.81	5.60	012	17.16	13.97	15.76	020	27.32	24.13	25.92
006	9.54	6.35	8.14	014	19.70	16.51	18.30				
008	12.08	8.89	10.68	016	22.24	19.05	20.84				
010	14.62	11.43	13.22	018	24.78	21.59	23.38				

How to order

MMF - xxx - HB50 - 99/X

Nbr of contacts
004; 006; 008; 010 012; 014; 016; 018 020

Plating
99 = Tin (leadfree)
other platings on request

Option
A = Tube packing; with "PickUp Cap"
B = Reel packing; with "PickUp Cap"
T = Tube packing; without "PickUp Cap"