

DM - Series DIMM Sockets

90° right angle type 168-pin

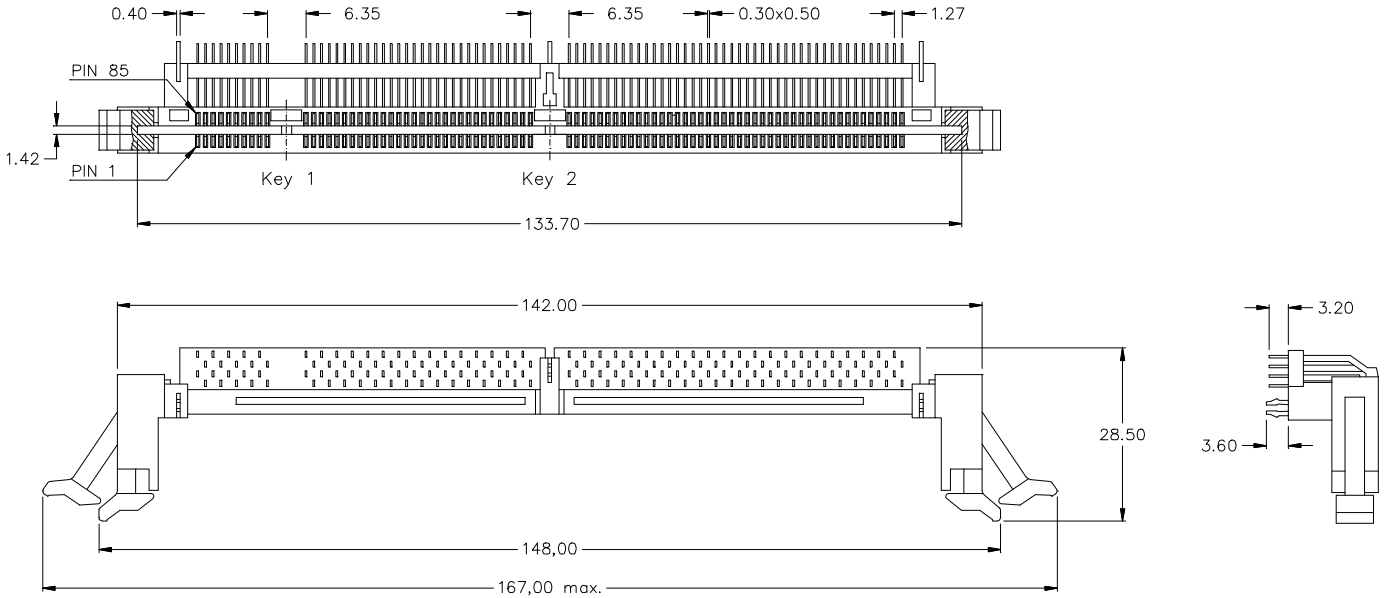
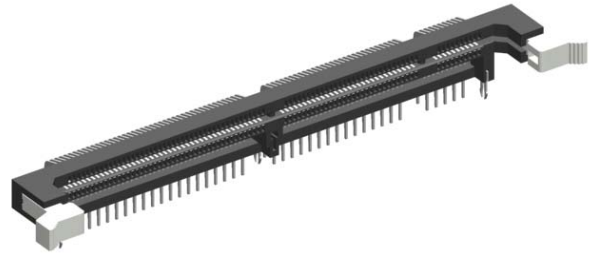


DIMM sockets are only available as long latch type
(Module locking extractors).

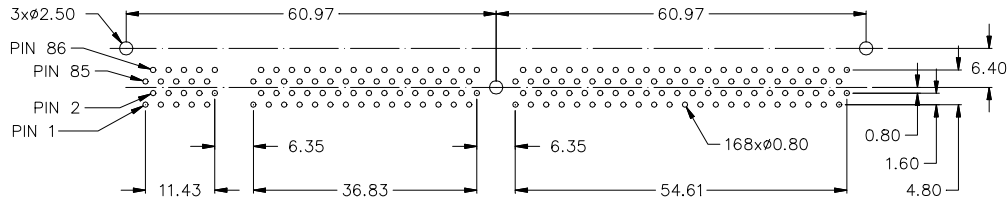
Insertion & extraction of the module can be made without any tools.

Positive polarization prevents wrong insertion of the module.

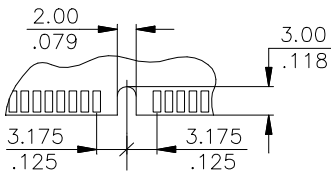
Contacts are designed with an anti-overstress feature for long contact life. Selective Gold/Tin plated. Gold only in contact area.



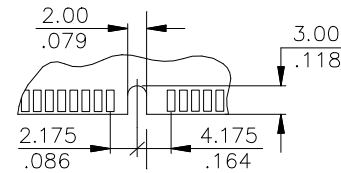
PC Board hole layout



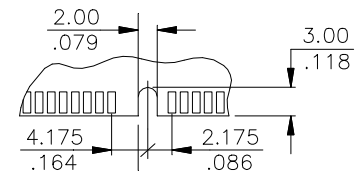
Module keying Type "A"



Module keying Type "B"



Module keying Type "C"



Specification

Current rating: 1 A max., 250V AC
 Contact resistance: 30 m Ω max.
 Breakdown voltage: 1,5 KV RMS max.
 Insulation resistance: 10⁴ M Ω min.
 Capacitance: 1 pF max.

Operating temperature: -55° C to +105° C min.
 Insulator (RoHS compliant): high temp plastic UL 94 V-0
 Contact (RoHS compliant): Copper Alloy
 Plating: Au / Sn (leadfree) over Ni

Pin	Socket Type	Key No. 1	Key No. 2	Ordering Code
168 pin	DRAM 5 Volt	Type "A"	Type "B"	Please contact E-tec sales office for availability.
168 pin	SDRAM 5 Volt	Type "B"	Type "B"	Please contact E-tec sales office for availability.
168 pin	UDRAM 5 Volt	Type "C"	Type "B"	Please contact E-tec sales office for availability.
168 pin	DRAM 3,3 Volt	Type "A"	Type "A"	Please contact E-tec sales office for availability.
168 pin	SDRAM 3,3 Volt	Type "B"	Type "A"	Please contact E-tec sales office for availability.
168 pin	UDRAM 3,3 Volt	Type "C"	Type "A"	DM1 - 168 - RCA9 - 95/1L