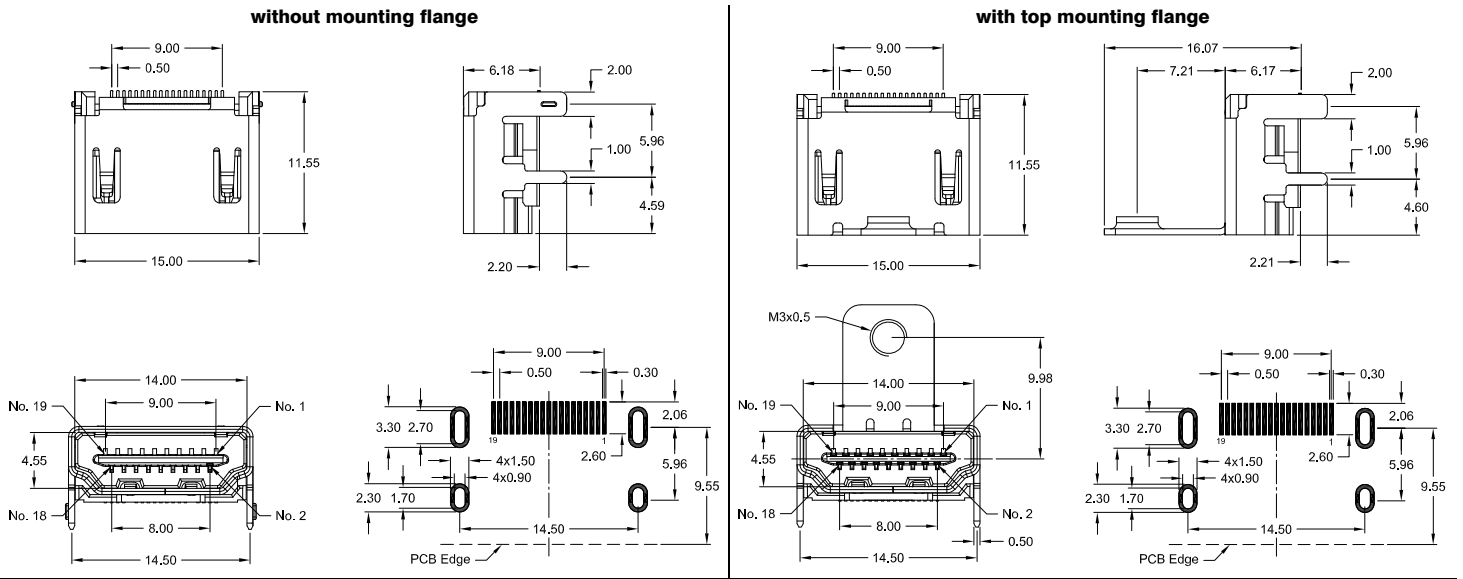


-SMT- "Side Entry" with straight solder pegs



Specifications

Electrical:	
Current rating	0.5 A
Insulator resistance	100 M Ω min. at 150V DC
Contact resistance	30 m Ω max.
Withstanding voltage	500V (rms) AC 1 Min.
Operating temperature	-25° C to +85° C
Mechanical:	
Insertion force	44.1 N max.
Withdrawal force	9.8 N min.
Durability	10,000 Cycles
Material:	
Contact	Copper Alloy
Plating	Sn solderpegs / Au contact
Insulator	Hi temp Thermoplastic black UL 94V-0
Shell	Steel; Sn (leadfree) over Ni

How to order

HMR - B19 - SS X 1 - 98 / X

Style	
K	= without mounting flange
L	= with top mounting flange

Plating	
95	= Tin (leadfree) / Gold flash
97	= Tin (leadfree) / Gold 15 μ "
98	= Tin (leadfree) / Gold 30 μ "

Option	
R	= reel packing w/o pick up tape
BT	= reel packing with pick up tape