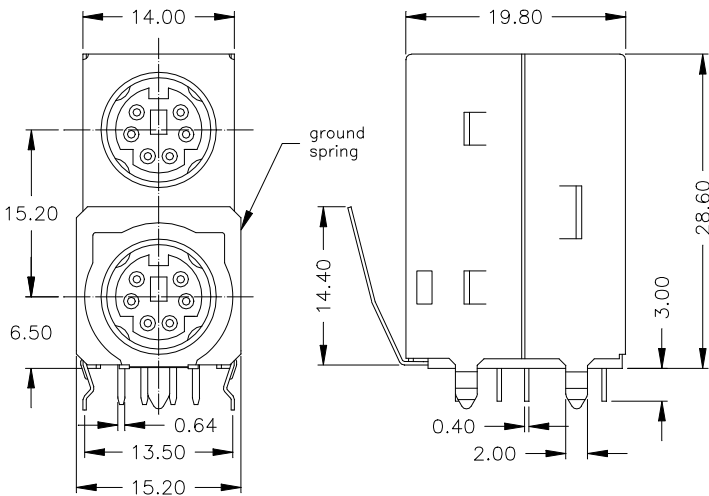


# Mini DIN Connector - Dual Port Standard & "PC 99" Type

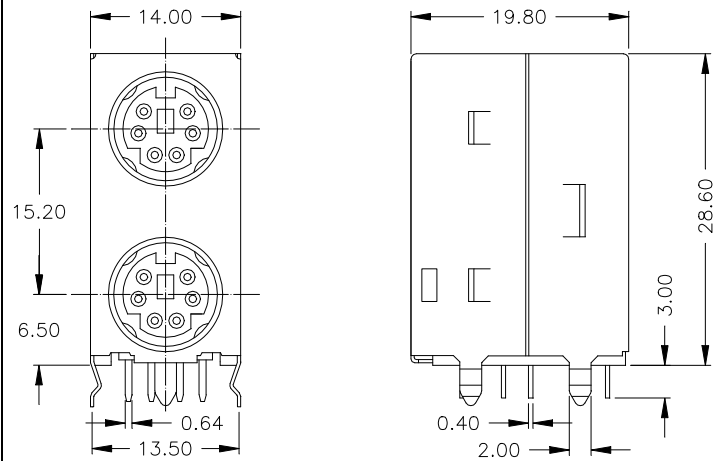


fully shielded, ground spring & side kink type



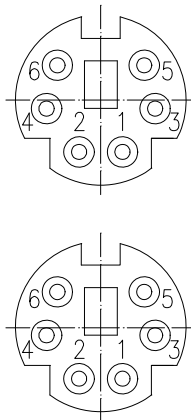
**MDJ - 606 - DS xx - 95**

fully shielded type



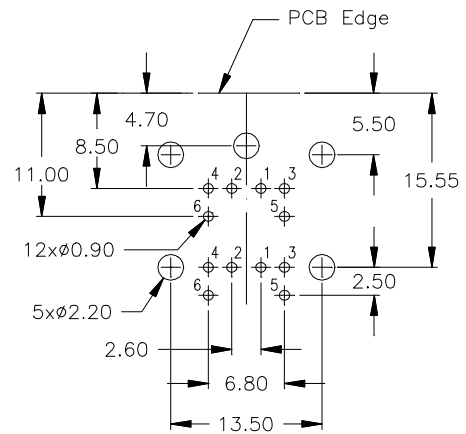
**MDJ - 606 - DK xx - 95**

front view



**2 x 6 pos.**

PCB through hole layout



**2 x 6 pin = 606**

## SPECIFICATIONS

Current rating	1 A max. at 100 V AC or 2 A max. at 12 V DC
Insulator resistance	100 MΩ min. at 250 V DC
Contact resistance	30 mΩ max.
Withstanding voltage	250 V AC for 1 min.

Contact material	(RoHS compliant) Phosphor bronze
Insulator material	(RoHS compliant)
P.B.T. UL 94 V-0	
Shield material	(RoHS compliant) Brass
Shield plating	tin (leadfree)
Insertion/extraction cycles	500 min.
Operating temperature	-40°C to +105°C

## Ordering Code

**MDJ - 606 - XX xx - 95**

Contact Arrangement	Version	Housing Color	Plating
<b>6 top 6 bottom</b>	<b>DS</b> = fully shielded, ground spring & side kink <b>DK</b> = fully shielded & side kink	<b>01</b> = black top / black bottom <b>02</b> = green top / purple bottom	tin/gold (tin leadfree)