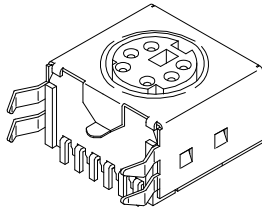


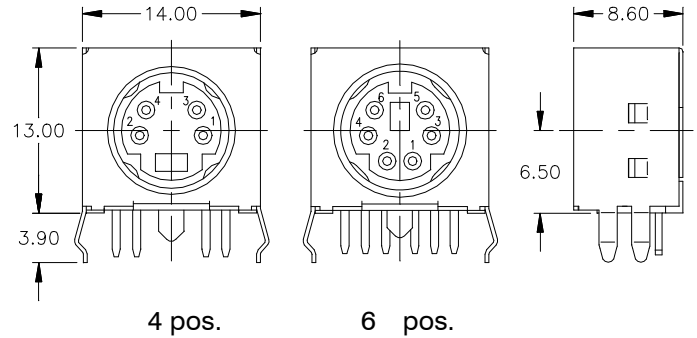
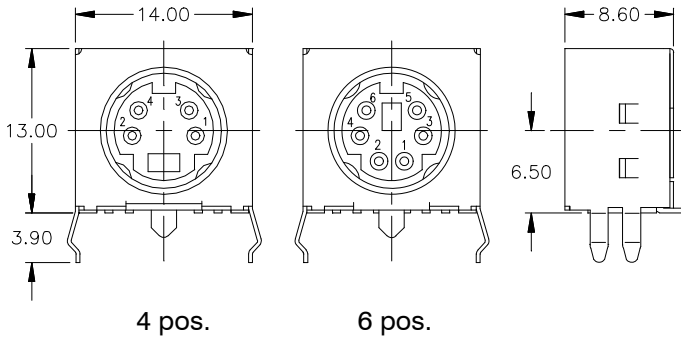
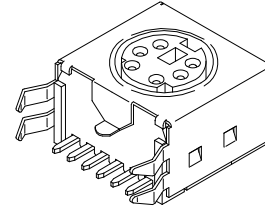
Mini DIN Connector - Low Profile 90°  
SMT & through hole - fully shielded type -



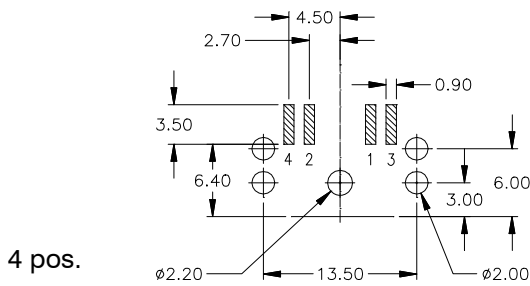
SMT type



through hole type

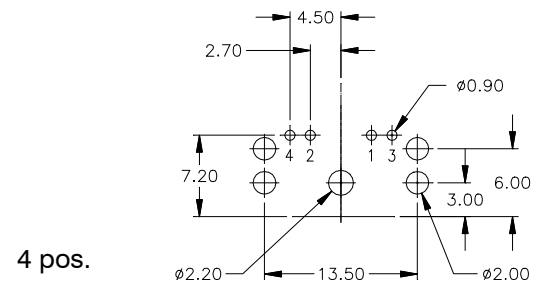


PCB SMT layout

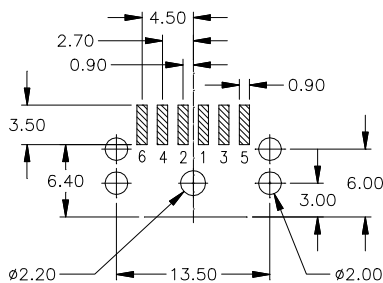


4 pos.

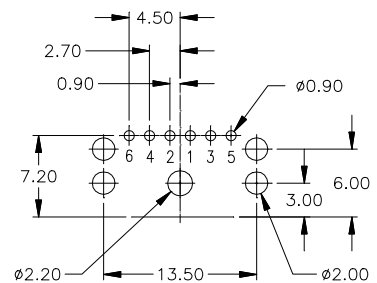
PCB through hole layout



4 pos.



6 pos.



6 pos.

**SPECIFICATIONS**

Current rating	1 A max. at 100 V AC or 2 A max. at 12 V DC	Insulator material (RoHS compliant)	Nylon 6T UL 94 V-0
Insulator resistance	50 MΩ min. at 250 V DC	Contact material (RoHS compliant)	Phosphor bronze
Contact resistance	30 mΩ max.	Contact plating	Sn(leadfree)/Au over Ni
Dielectric withstanding voltage	250 V AC for 1 minute	Insertion force	4.5kg max.
Insertion/extraction cycles	500 min.	Extraction force	0.5kg min.
Operating temperature	-40°C to +105°C	Reflow soldering temperature:	260° C for 10 sec.

**Ordering Code**

**MDJ - xxx - RKL X / 1 - 95**

