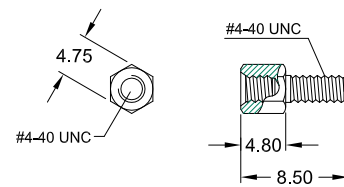
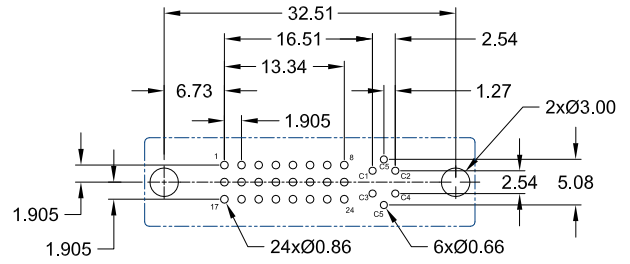
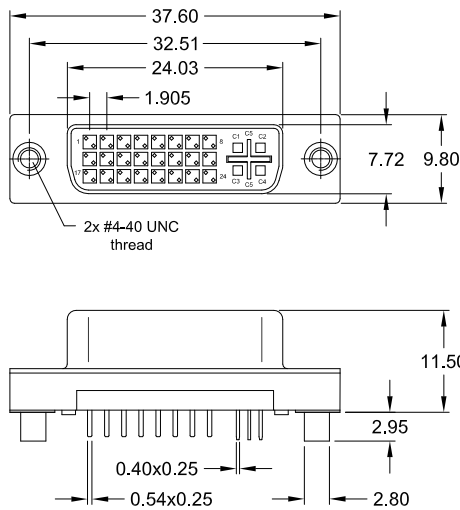


Analog & Digital Type



Option: Jack Screw

Specifications

Electrical:	
Current rating	1.5 A min.
Insulator resistance	1000 M Ω min.
Contact resistance	20 m Ω max.
Dielectric strength	1000 V for 1 Min.
Withstanding voltage	500V (rms) AC 1 Min.
Operating temperature	-20° C to +85° C
Mechanical:	
Insertion force	4.5 Kg max.
Withdrawal force	1.0 Kg min.
Durability	100 Cycles
Material:	
Contact	Copper Alloy
Insulator	PBT (ivory) UL 94V-0
Shell	Steel; Ni plated

How to order

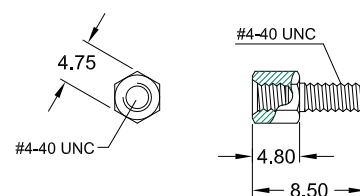
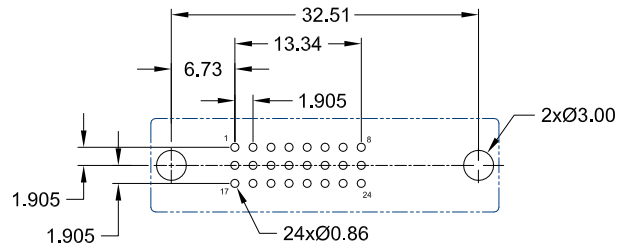
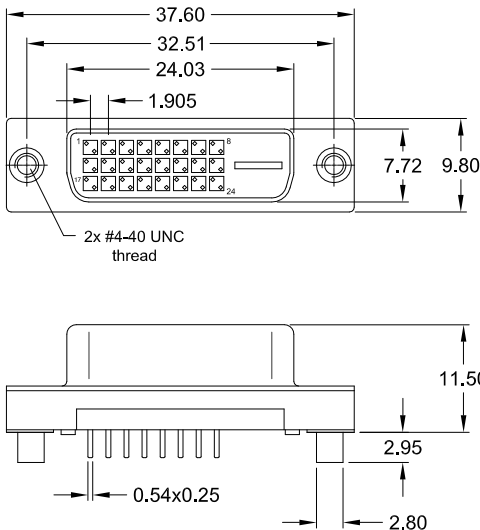
DVF - 029 - SAD1 - xx /W B J

Plating
95 = Tin (leadfree) / Gold flash
97 = Tin (leadfree) / Gold 15μ"
98 = Tin (leadfree) / Gold 30μ"

Housing Color
W = white (standard)
B = black (option)

J
2 Jack Screws 4-40 UNC attached

Digital Type



Option: Jack Screw

Specifications

Electrical:	
Current rating	1.5 A min.
Insulator resistance	1000 M Ω min.
Contact resistance	20 m Ω max.
Dielectric strength	1000 V for 1 Min.
Withstanding voltage	500V (rms) AC 1 Min.
Operating temperature	-20° C to +85° C
Mechanical:	
Insertion force	4.5 Kg max.
Withdrawal force	1.0 Kg min.
Durability	100 Cycles
Material:	
Contact	Copper Alloy
Insulator	PBT (ivory) UL 94V-0
Shell	Steel; Ni plated

How to order

DVF - 024 - SDD1 - xx /W B J

Plating
95 = Tin (leadfree) / Gold flash
97 = Tin (leadfree) / Gold 15μ"
98 = Tin (leadfree) / Gold 30μ"

Housing Color
W = white (standard)
B = black (option)

J
2 Jack Screws 4-40 UNC attached