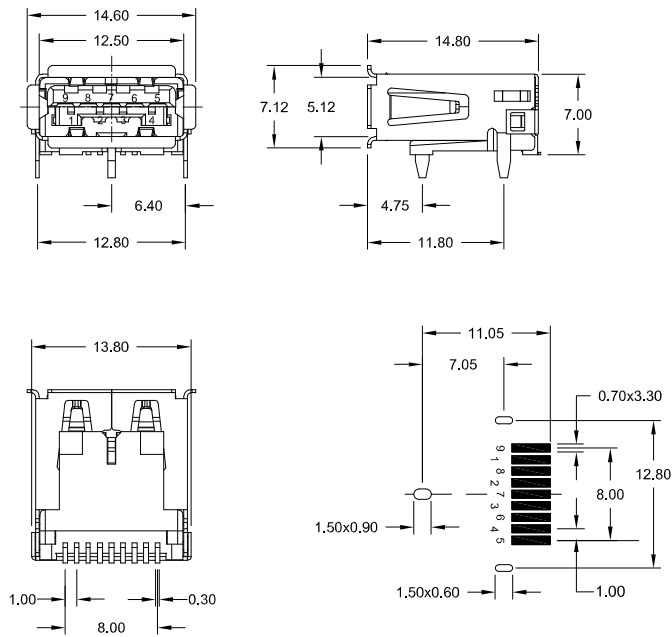


USS / ULS Series USB 3.0 Connector Type „A”

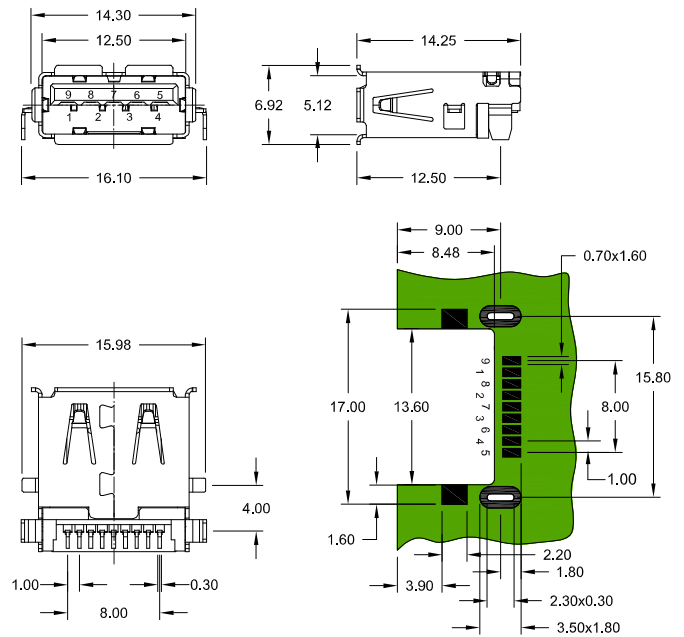


single port right angle; SMT



ORDER CODE: **USS - BU09 - SAS31 - 98**

single port right angle; SMT "Embedded"



ORDER CODE: **ULS - BU09 - SAS31 - 98**

Specification

Material

Contact	Phosphor bronze
Plating:	
Solder area	Sn (<i>leadfree</i>)
Contact area	Au 30μ" over Ni
Housing	LCP blue UL 94-V0
Shell	Brass, 80μ"-120μ" Ni plated

Mechanical

Mating cycles	1.500 min.
---------------	------------

Packing

Standard	Tray
Option	Reel

Electrical

Current rating/contact	1,8 A max. (Signal only; 1 & 4) 0,25A max. (all other)
Voltage rating	100V AC (rms)
Withstanding voltage	500V AC (rms) 1 Minute
Insulation resistance	100MΩ min. (500V DC)
Contact resistance	30mΩ max. (Signal only; 1 & 4) 50mΩ max. (all other)

Others

Operating temperature	-55° C to +105° C
Processing temperature	+260°C +0/-5°C for 5 seconds