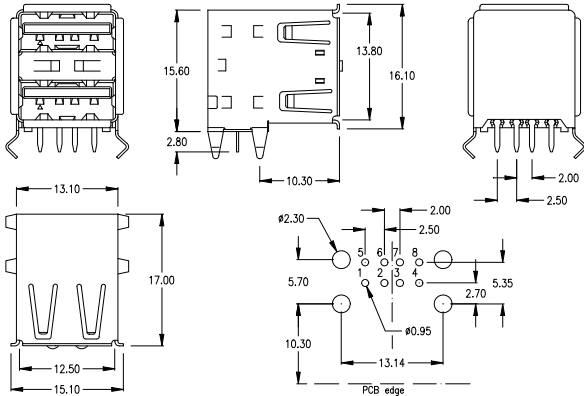


# USS Series Multi Port USB Connector Type „A”



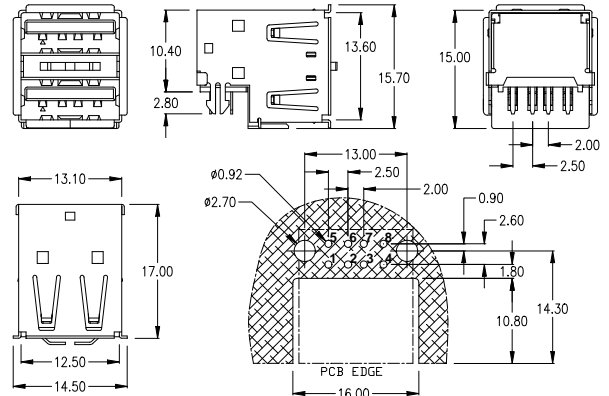
**dual port right angle; soldertail**



**ORDER CODE:**

USB 1.0 corresponding **USS - W08 - RA02 - 95** (- B08 - if black housing)  
 USB 2.0 corresponding **USS - W08 - RA22 - 98** (- B08 - if black housing)

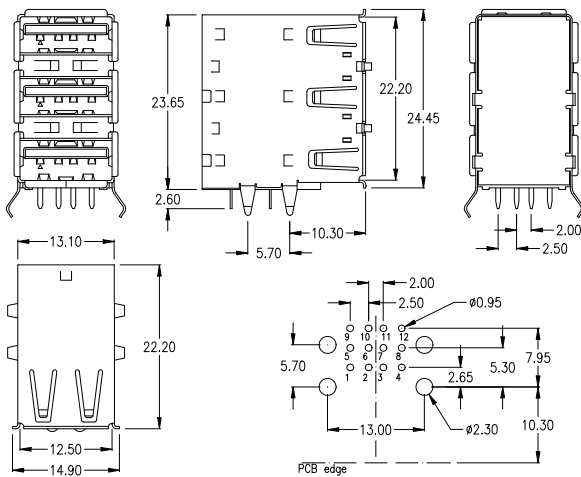
**dual port "low profile" right angle; soldertail**



**ORDER CODE:**

USB 1.0 corresponding **ULS - W08 - RA02 - 95** (- B08 - if black housing)  
 USB 2.0 corresponding **ULS - W08 - RA22 - 98** (- B08 - if black housing)

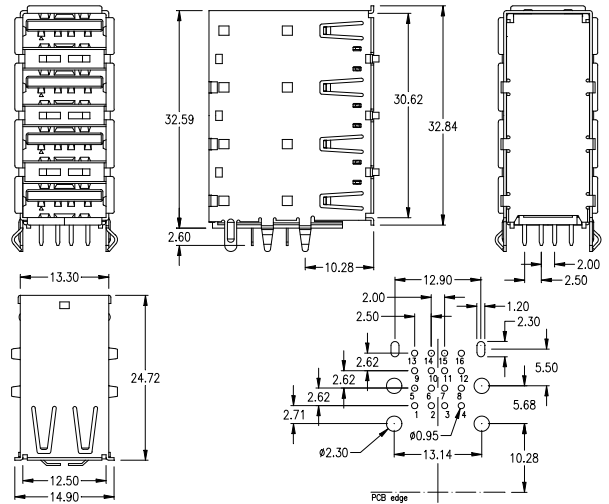
**triple port right angle; soldertail**



**ORDER CODE:**

USB 1.0 corresponding **USS - B12 - RA03 - 95** (- W12 - if white housing)  
 USB 2.0 corresponding **USS - B12 - RA23 - 98** (- W12 - if white housing)

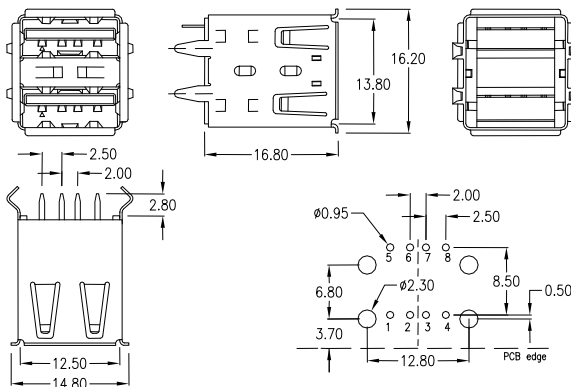
**quad port right angle; soldertail**



**ORDER CODE:**

USB 1.0 corresponding **USS - B16 - RA04 - 95** (- W16 - if white housing)  
 USB 2.0 corresponding **USS - B16 - RA24 - 98** (- W16 - if white housing)

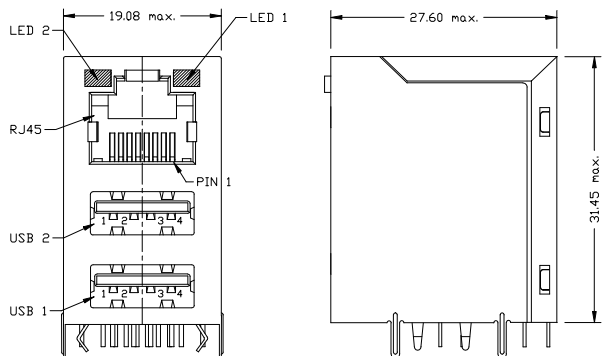
**dual port "top entry"; soldertail**



**ORDER CODE:**

USB 1.0 corresponding **USS - W08 - TA02 - 95** (- B08 - if black housing)  
 USB 2.0 corresponding **USS - W08 - TA22 - 98** (- B08 - if black housing)

**USB / RJ45 Combi Multi Port**



E-tec also offers a USB / RJ45 Combi Multi Port as TX filtered transformer type with integrated LED.  
 Datasheets of the different available variations can be obtained on [www.e-tec.com](http://www.e-tec.com) or from your closest E-tec sales office.

## Specification

**Material**

Contact (RoHS compliant) Phosphor Bronze  
 Plating:  
 Contact area Au flash over Ni (USB 1.0 corresponding)  
 Au 30µ" over Ni (USB 2.0 corresponding)  
 Solder area Sn (leadfree)  
 Housing (RoHS compliant) PBT UL 94-V0  
 Shell (RoHS compliant) Brass, 80µ"-120µ" Ni plated

**Mechanical**

Mating cycles 1.500 min.

**Electrical**

Current rating 1,5 A max. 1 Contact (Signal only)  
 Voltage rating 30V AC (rms)  
 Withstanding voltage 750V AC (rms) 1 Minute (USB 1.0)  
 500V AC (rms) 1 Minute (USB 2.0)  
 Insulation resistance 1.000MΩ min. (500V DC)  
 Contact resistance 30mΩ max.

**Others**

Operating temperature -55° C to +85° C