

**metal hood**

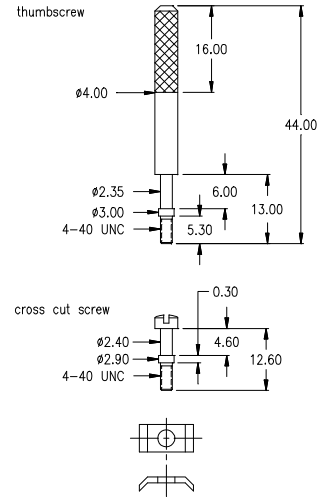
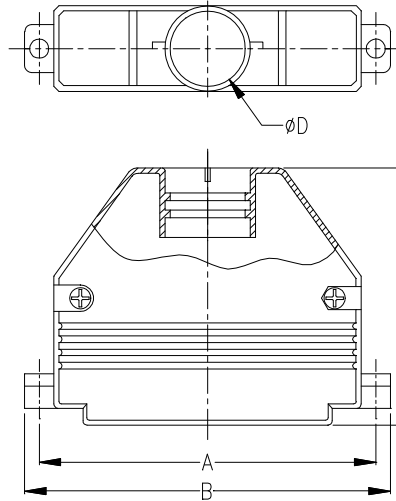
materials *RoHS compliant*

hood: zinc alloy Nickel plated

screw: steel

Please ask for detail drawing each type.

| Dimension |       |       |       | D-Sub contacts        |
|-----------|-------|-------|-------|-----------------------|
| A         | B     | C     | D     |                       |
| 24.99     | 31.00 | 47.00 | 7.00  | <b>009 / 015</b> (HD) |
| 33.32     | 40.00 | 48.20 | 10.00 | <b>015 / 026</b> (HD) |
| 47.04     | 53.30 | 48.70 | 14.00 | <b>025 / 044</b> (HD) |
| 63.50     | 69.00 | 48.60 | 14.00 | <b>037 / 062</b> (HD) |
| 61.11     | 67.00 | 48.30 | 14.00 | <b>050 / 078</b> (HD) |



**Ordering Code**

**HSM - xxx - S xxx - xx Z**

| Size Code   | screw type   | cable exit   |
|---|--|--|
| <b>009</b> = 9-pole Std. / 15-pole HD<br><b>015</b> = 15-pole Std. / 26-pole HD<br><b>025</b> = 25-pole Std. / 44-pole HD<br><b>037</b> = 37-pole Std. / 62-pole HD<br><b>050</b> = 50-pole Std. / 78-pole HD | <b>101</b> = <b>cross cut screw</b><br>not available for 90° cable exit<br><b>102</b> = <b>thumbscrew</b><br><br>others on request | <b>00</b> = <b>straight</b><br><b>90</b> = <b>90°</b><br>with Rubber grommet:<br><b>0R</b> = <b>straight</b><br><b>9R</b> = <b>90°</b><br>90° cable exit only for size code<br>009/H15 015/H26 025/H44 |

**plastic hood**

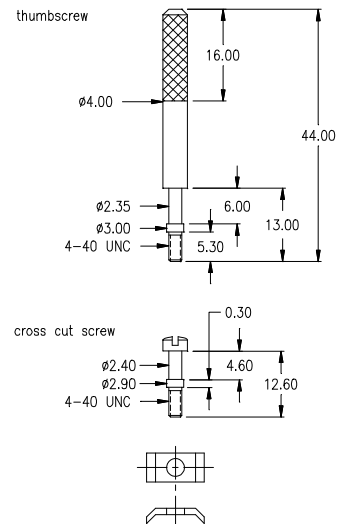
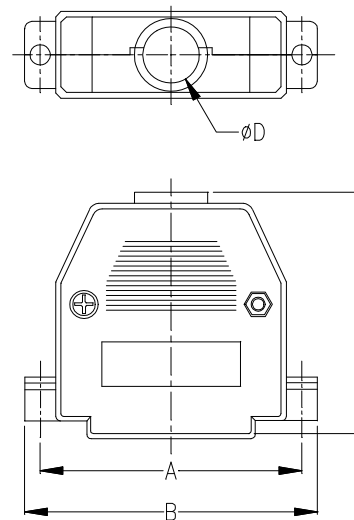
materials *RoHS compliant*

hood: PBT UL 94-V0

screw: steel

Please ask for detail drawing each type.

| Dimension |       |       |       | D-Sub contacts        |
|-----------|-------|-------|-------|-----------------------|
| A         | B     | C     | D     |                       |
| 24.99     | 30.80 | 40.50 | 7.00  | <b>009 / 015</b> (HD) |
| 33.32     | 39.70 | 38.80 | 9.70  | <b>015 / 026</b> (HD) |
| 47.04     | 55.00 | 44.50 | 14.00 | <b>025 / 044</b> (HD) |
| 63.50     | 69.00 | 52.50 | 14.00 | <b>037 / 062</b> (HD) |
| 61.11     | 67.00 | 48.30 | 14.00 | <b>050 / 078</b> (HD) |



**Ordering Code**

**HS X - xxx - S xxx - xx Z**

| colour / type   | Size Code   | screw type   | cable exit  |
|---|---|--|---|
| <b>B</b> = <b>black</b><br><b>G</b> = <b>grey</b><br><b>C</b> = <b>chromated</b><br><br>others on request | <b>009</b> = 9-pole Std. / 15-pole HD<br><b>015</b> = 15-pole Std. / 26-pole HD<br><b>025</b> = 25-pole Std. / 44-pole HD<br><b>037</b> = 37-pole Std. / 62-pole HD<br><b>050</b> = 50-pole Std. / 78-pole HD | <b>101</b> = <b>cross cut screw</b><br>not available for 45° cable exit<br><b>102</b> = <b>thumbscrew</b><br><br>others on request | <b>00</b> = <b>straight</b><br><b>45</b> = <b>45°</b> |