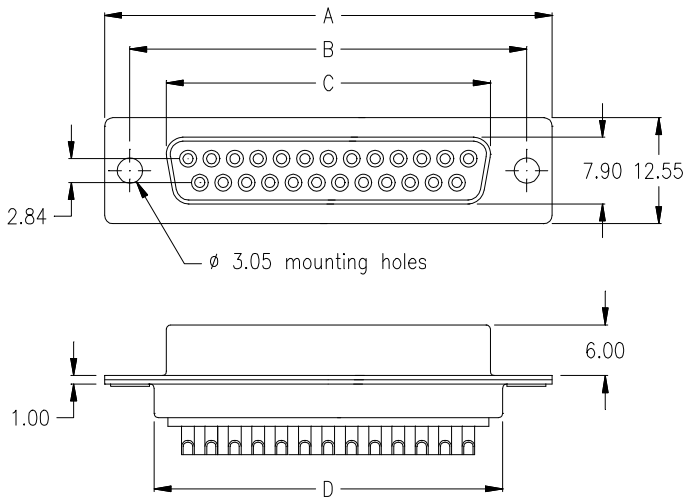
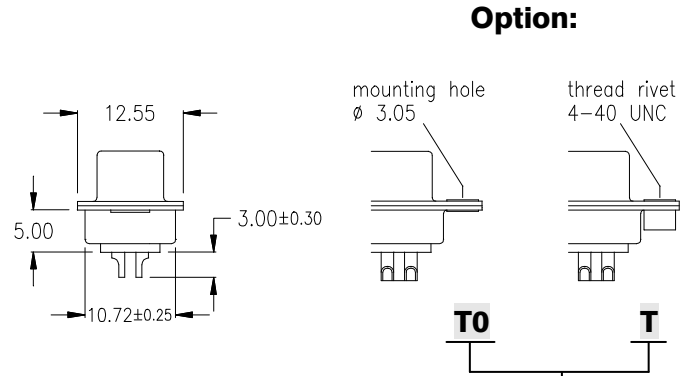


female



| No. of contacts | Dimension | | | |
|-----------------|-----------------------|-----------------------|-----------------------|-----------------------|
| | A | B | C | D |
| 009 | <u>30.81</u> 1.213 | <u>24.99</u> .984 | <u>16.33</u> .643 | <u>19.28</u> .795 |
| 015 | <u>39.14</u> 1.541 | <u>33.32</u> 1.312 | <u>24.66</u> .971 | <u>27.51</u> 1.083 |
| 025 | <u>53.04</u> 2.088 | <u>47.04</u> 1.852 | <u>38.38</u> 1.511 | <u>41.30</u> 1.652 |
| 037 | <u>69.32</u> 2.729 | <u>63.50</u> 2.500 | <u>54.84</u> 2.159 | <u>57.40</u> 2.272 |



Option:

Ordering Code

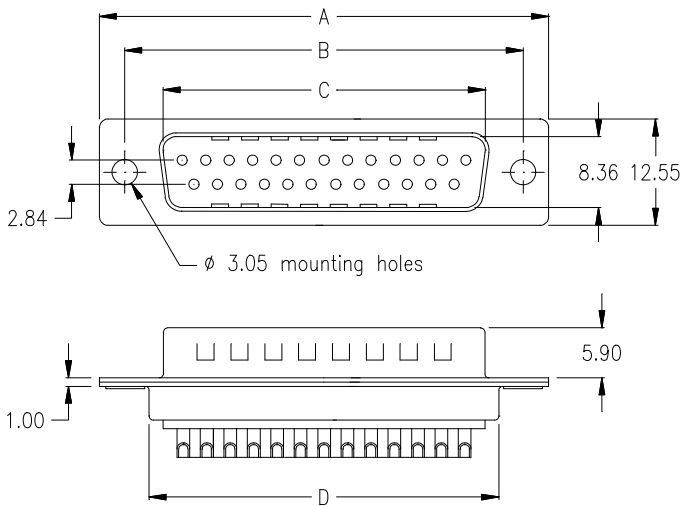
SDF - xxx - S101 - 95 / XX

No. of contacts Option

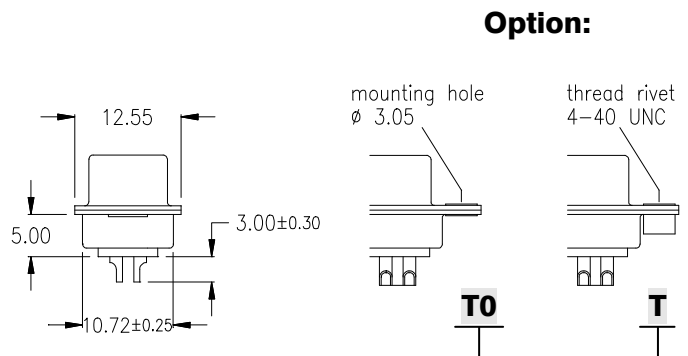
General Specification page 72

Plating: -95 = tin(leadfree)/gold

male



| No. of contacts | Dimension | | | |
|-----------------|-----------------------|-----------------------|-----------------------|-----------------------|
| | A | B | C | D |
| 009 | <u>30.81</u> 1.213 | <u>24.99</u> .984 | <u>16.92</u> .666 | <u>19.28</u> .795 |
| 015 | <u>39.14</u> 1.541 | <u>33.32</u> 1.312 | <u>25.25</u> .994 | <u>27.51</u> 1.083 |
| 025 | <u>53.04</u> 2.088 | <u>47.04</u> 1.852 | <u>38.96</u> 1.534 | <u>41.30</u> 1.652 |
| 037 | <u>69.32</u> 2.729 | <u>63.50</u> 2.500 | <u>55.42</u> 2.182 | <u>57.40</u> 2.272 |



Option:

Ordering Code

SDM - xxx - S101 - 95 / XX

No. of contacts Option

General Specification page 72

Plating: -95 = tin(leadfree)/gold



mechanical data

| | |
|---|------------------------------|
| Mating force per contact | ≤ 3,4 N |
| Unmating force per contact | ≥ 0,2 N |
| Temperature range | -55° C to +105° C |
| Processing temperature wave solder (solder bath) | +250°C +0/-5°C for 10sec. |
| Processing temperature SMT and “pin in paste” | +250°C +0/-5°C for 10sec. |
| Moisture absorption from air 50% rh | 0,10% |
| IDC Connector types accept AWG 26 or AWG 28 standard wire | |

materials and plating (RoHS compliant)

| | |
|---|--|
| Insulator for wave solder technology, standard black - PC 99 colourful insulator | thermoplastic glassfilled UL 94V – 0 Yellowish brown - Pantone # 131C 15-pos. female Burgundy - Pantone # 235C 25-pos. female Teal - Pantone # 322C 9-pos. male Blue - Pantone # 661C HD 15-pos. |
| female | |
| Insulator for SMT and “Pin-In-Paste” | Nylon UL 94V-0 |
| Shell | Steel, Ni plated |
| Bracket | Brass, tin plated |
| Male contact | Copper Alloy (Standard; others on request) |
| - plating | -95 = solder side Sn; contact side Au over Ni -55 = solder and contact side Au over Ni |
| Female contact | Copper Alloy (Standard; others on request) |
| - plating | -95 = solder side Sn; contact side Au over Ni -55 = solder and contact side Au over Ni -NN = Ni |
| D-Sub Accessories (page 70) plating | |

electrical data

| | |
|---|--|
| max. Current rating | 5 A/25°C 3 A/70°C (High Density types 3A / IDC types 1A) |
| Operating voltage | 250 V |
| Test voltage between contacts | 1000 V / 50/60 Hz / 1 Minute |
| Test voltage between shell and contacts | 1000 V / 50/60 Hz / 1 Minute |
| Resistance between mated contacts | < 30 m Ω |
| Insulation resistance | ≥ 1000 M Ω at 500V DC |
| Dielectric strength | 1000 V AC min. for 1 Minute |
| Volume resistivity | 10 ¹⁶ Ω cm (ASTM-D 257) |

available performance classes

E-tec D-Sub connectors comply with Performance Class 3 (min. 50 contact cycles).
Please contact E-tec first for availability of Performance Class 2 (min. 200 contact cycles) and 1 (min. 500 contact cycles)

D-Sub with Filter (ferrite)

| | |
|-----------------|---|
| Frequency range | 10 - 300 MHz |
| Impedance | 5 MHz - 15 Ω 25 MHz - 30 Ω 100 MHz - 50 Ω 300 MHz - 75 Ω |

